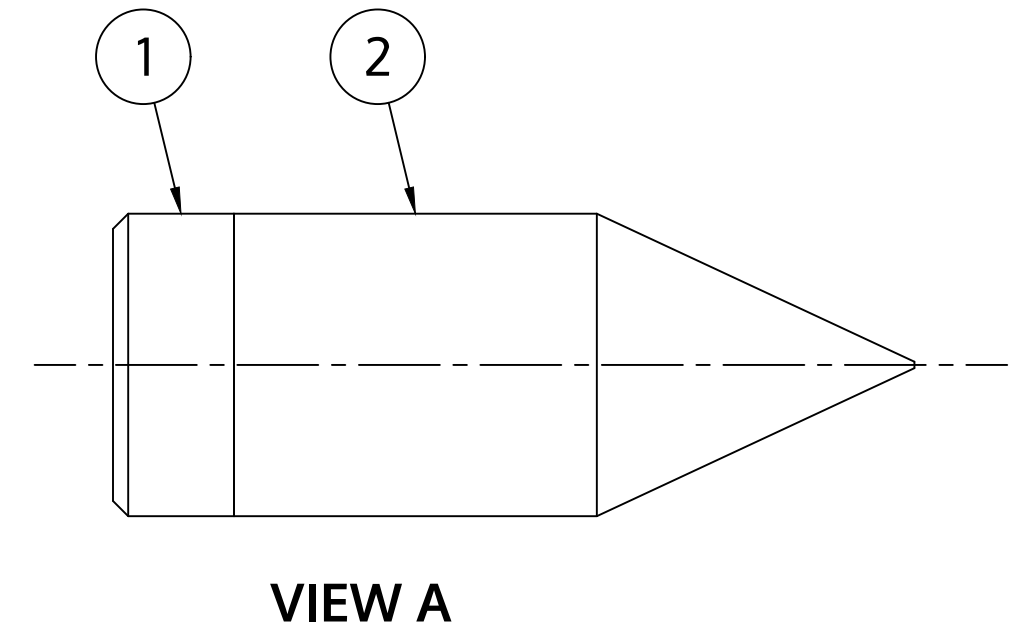



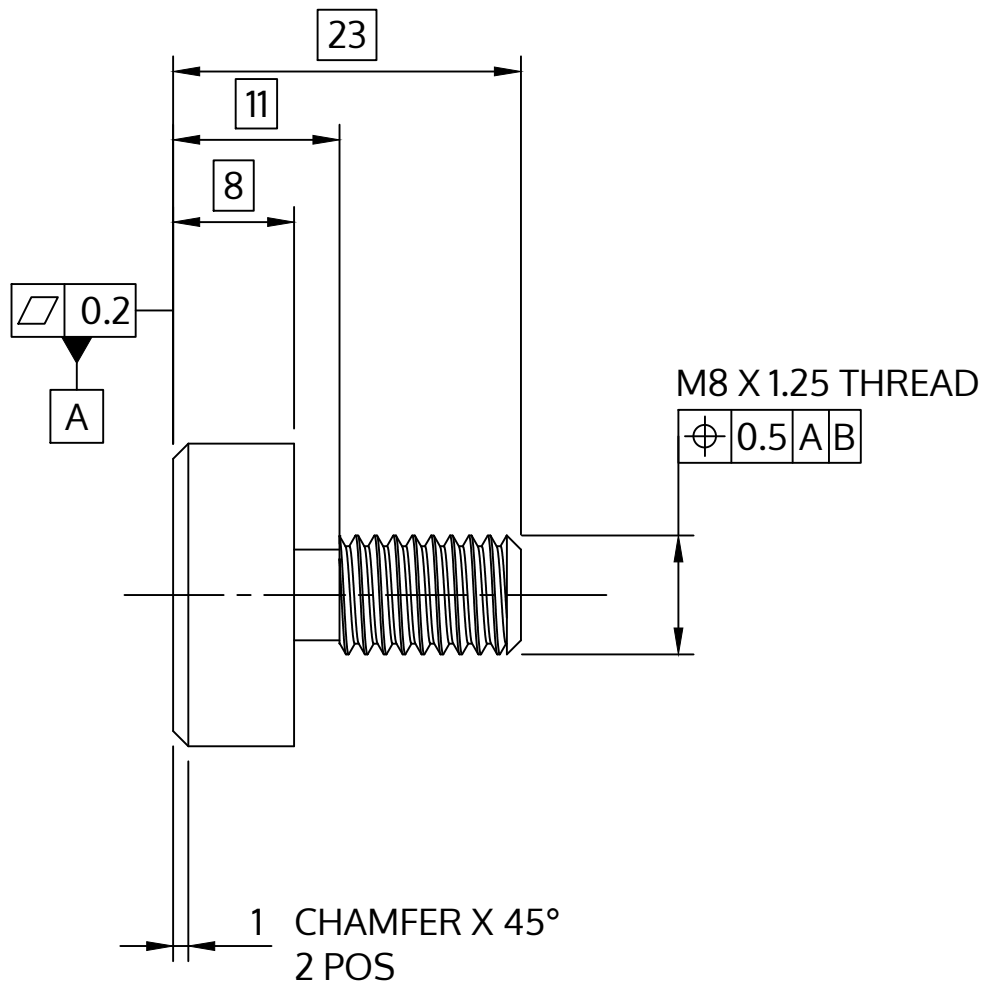
Parts List				
Item	Qty	Part Number	Description	Material
1	1	NH-MLI01	SCREW TOP FOR PLUMB BOB	Aluminum
2	1	NH-MLI02	MAIN BODY OF PLUMB BOB	Aluminum



4. INDUCTION WILL LAST APPROXIMATELY 3 HOURS
3. COST OF THE INDUCTION SHALL BE £20
2. INDUCTION REQUIRES 100mm LENGTH OF 25mm DIAMETER ALUMINIUM BAR.
1. ONLY BASIC TURNING SKILLS AND USING THE LATHE SAFELY ARE COVERED:
WORKHOLDING, FACING, DRILLING, TURNING, THREAD TAPING, TURNING TAPERS

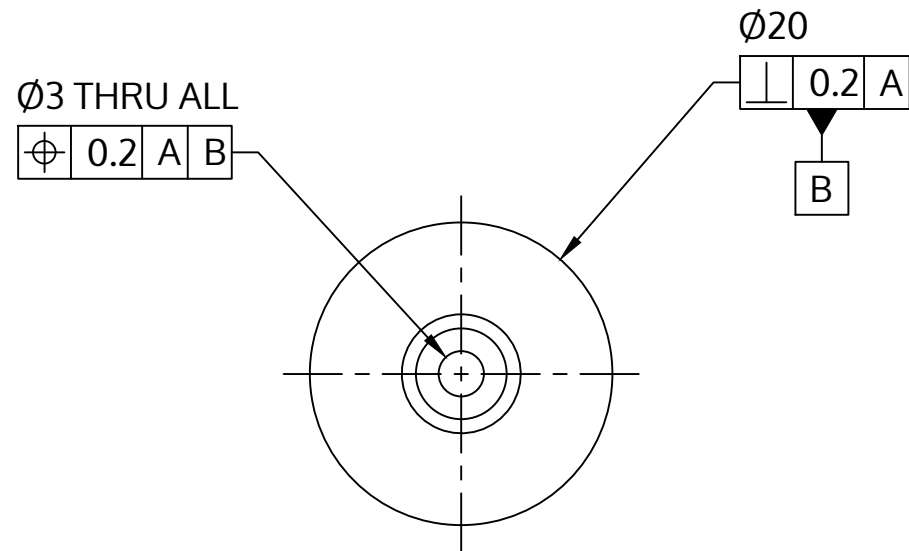
	Created by D. SPENCER		Approved by	
	Document type ASSY DRAWING		Document status P - PRELIMINARY	
	Title MYFORD LATHE INDUCTION PLUMB BOB		DWG No. NH-MLI-ASSY01	
			Rev. A	Date of issue JUNE 2019

F ↘

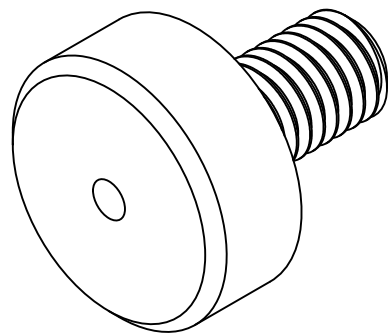


VIEW → E

E →



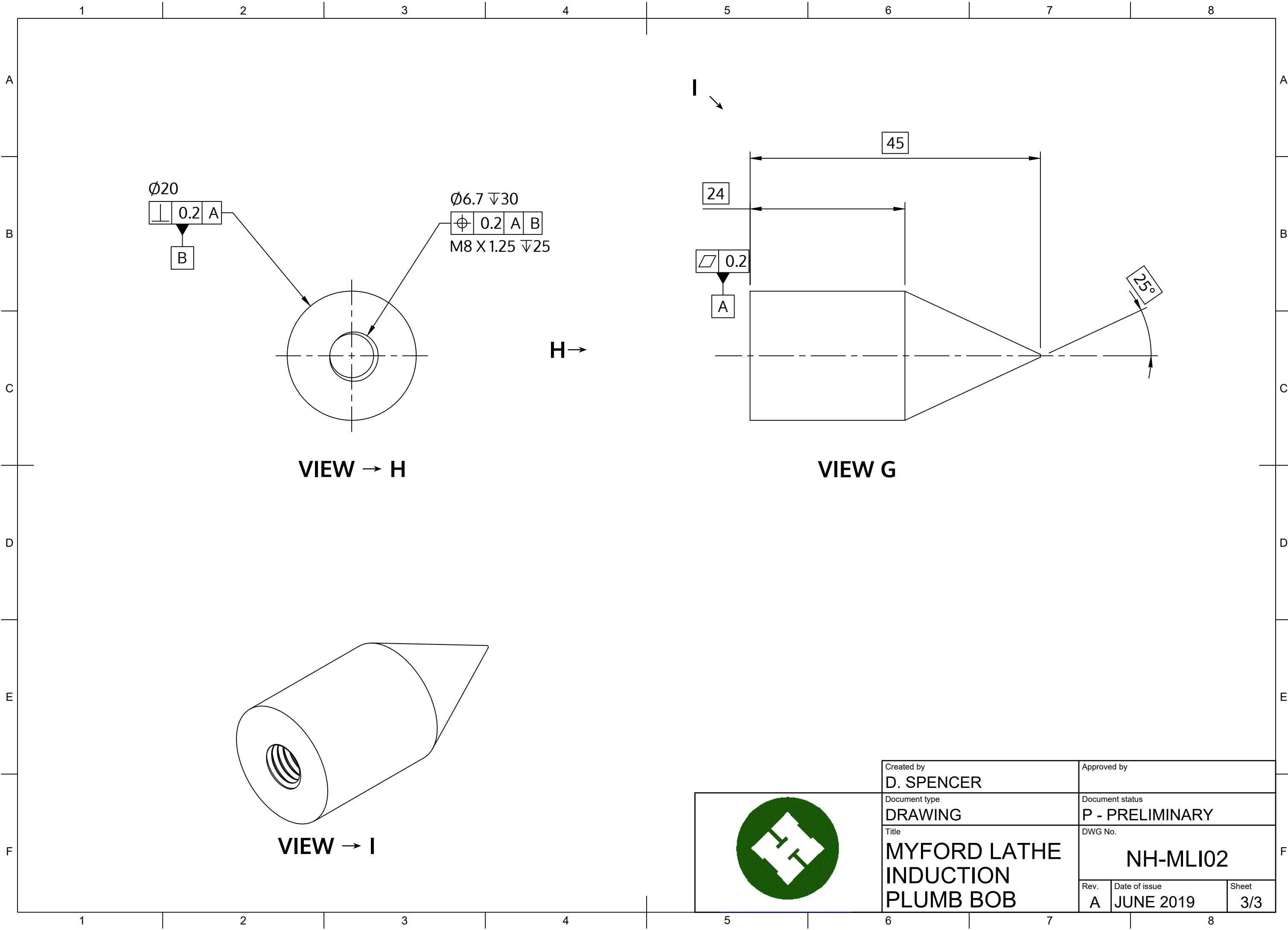
VIEW D



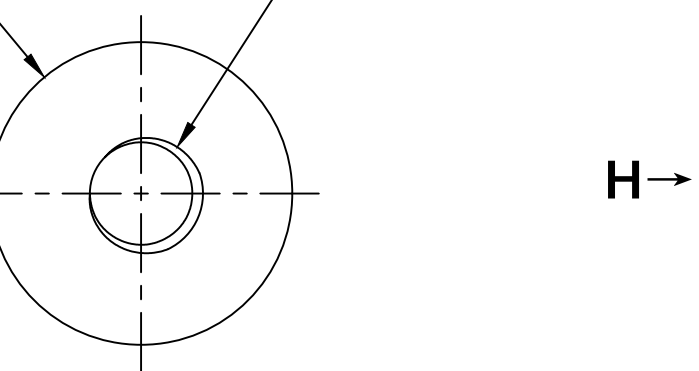
VIEW → F



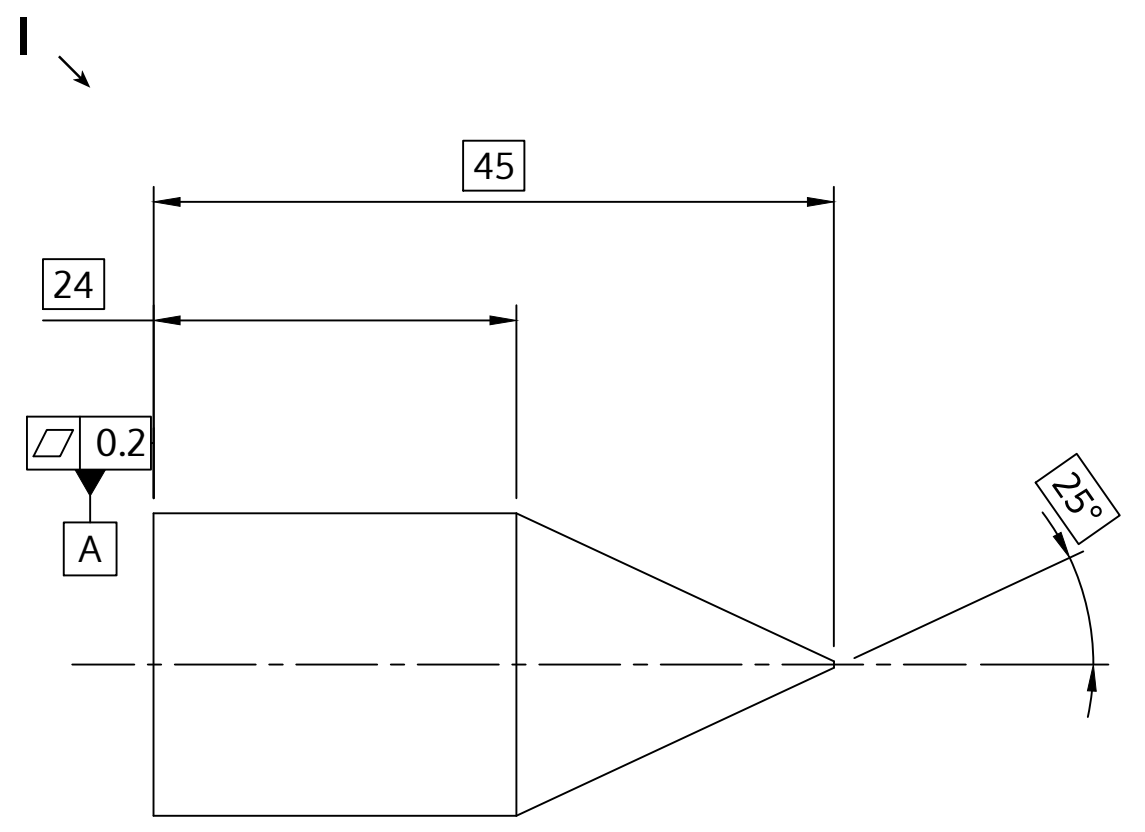
Created by D. SPENCER		Approved by	
Document type DRAWING		Document status P - PRELIMINARY	
Title MYFORD LATHE INDUCTION PLUMB BOB		DWG No. NH-MLI01	
		Rev. A	Date of issue JUNE 2019



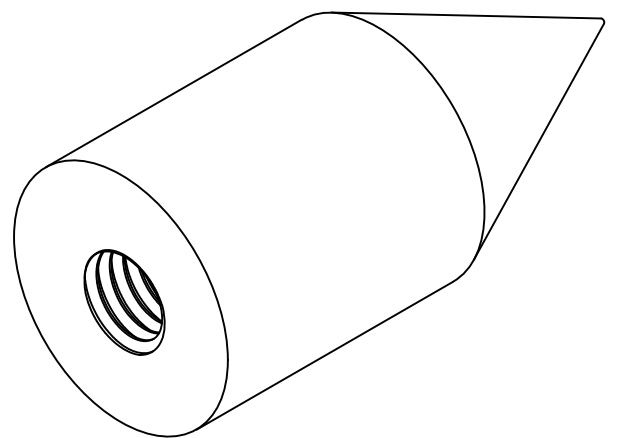
\perp 0.2 A
 B
 $\varnothing 20$
 $\varnothing 6.7 \nabla 30$
 \varnothing 0.2 A B
 M8 X 1.25 $\nabla 25$



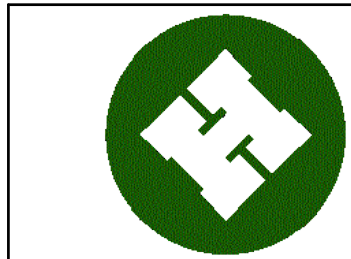
VIEW → H



VIEW G



VIEW → I



Created by D. SPENCER		Approved by	
Document type DRAWING		Document status P - PRELIMINARY	
Title MYFORD LATHE INDUCTION PLUMB BOB		DWG No. NH-MLI02	
Rev. A	Date of issue JUNE 2019	Sheet 3/3	